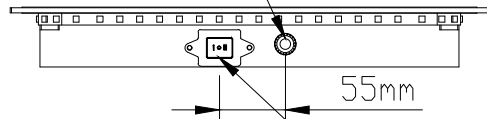


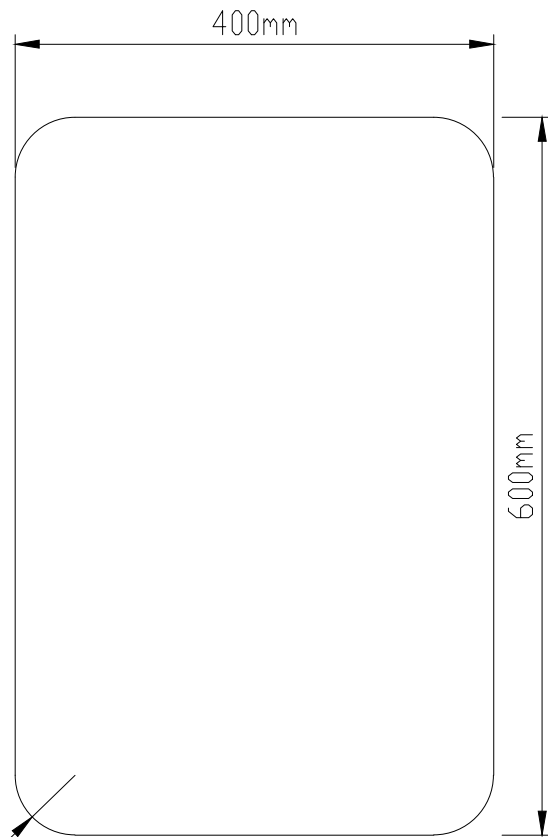
# The line drawing for K1431

SENSOR SWITCH

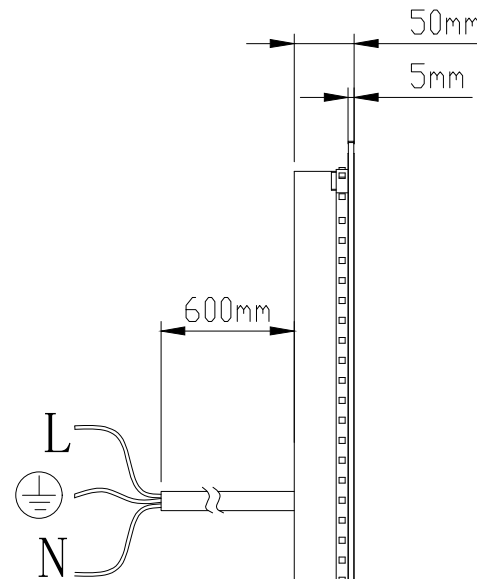


ROCKER SWITCH

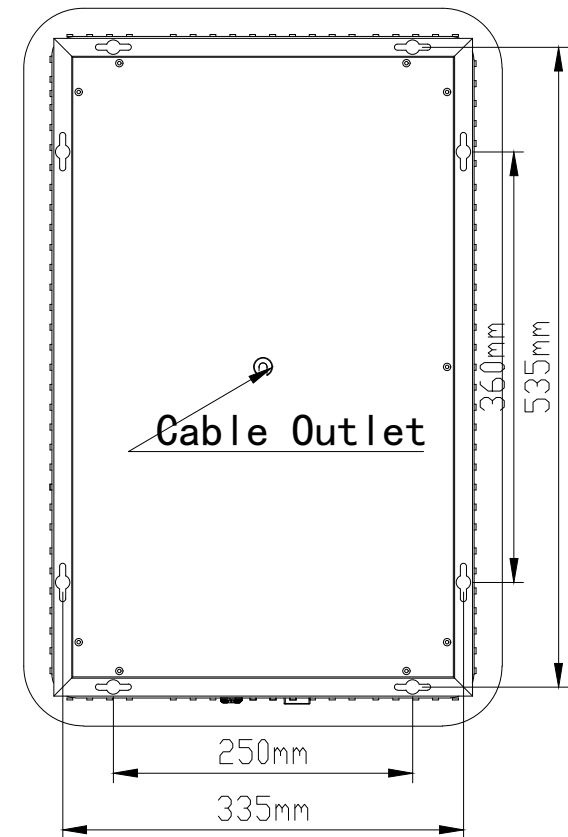
BOTTOM VIEW



FRONT VIEW



LEFT SIDE



REAR VIEW